

Refractory



Shown in Silver Dollar Bronze and Clear Glass

PRM.SCN.01

Specifications

| Dimensions | in | cm |
|------------|------|------|
| Height | 29 | 73.5 |
| Width | 4.5 | 11.5 |
| Depth | 3.75 | 9.5 |

Weight 30 lbs

Materials and Finishes

Cast Bronze available in
Collection Bronze Patinas

Cast Glass Lenses available in Clear
and Suede

Lamping

Hand Polished Glass Lenses

UL Listed

E26 Socket

Ships with Feit Electric (Short)

(2) 2700K 40 W Equivalent LED

dimnable bulbs

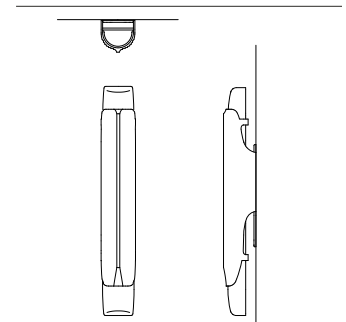
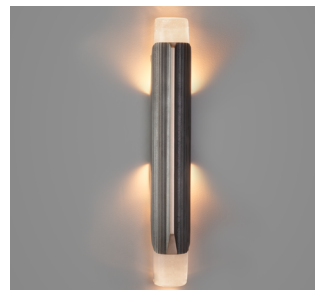
Promontory Sconce No. 1

Promontory is about the power and intricacy of armor in its many forms - from an unyielding ridge of limestone that has withstood erosive forces, to the armor of warriors throughout history, to the rugged creatures that dominate the arid landscape of the American West. Shaped by evolution and developed over millennia, the shells and shields protect precious, fragile sources of life, creating tension, curiosity, and wonder when internal mysteries are revealed.

The Promontory Sconce is a cast bronze cuff that illuminates two hand-polished cast glass lenses.

Detail at right: Silver Dollar bronze and Clear glass (above)

Clear cast glass lens and Polished bronze (below)



Refractory
4201 W Wrightwood Ave
Chicago IL 60639

+1 800 957 2577
inquiries@refractory.studio
refractory.studio

This document and the intellectual property contained in the document are the sole property of Arden Road LLC, dba Refractory, and may not be reproduced or transferred without written permission by same. © Refractory 2025 v2.20.25